

HIGH TEMPERATURE DUCT SEALS

Designers and manufacturers of high temperature metal seals for the aerospace and associated industries.

This pdf details our E-Seals to suit standard aerospace flange and ducting systems.

Although not shown in this pdf we also produce a large standard range of E-Seals. For further details of these E-Seals or help with the E-Seals shown in this catalogue please consult us.

Other Seal types available include:

Corruseal Corruplus C-Seal Ellipseal Sigma Seal

Throughout this catalogue dimensions are in inches and are prior to plating.

MATERIAL

All the E-Seals in this catalogue are manufactured from Inconel 718.

HEAT TREATMENT

All E-Seals have a solution and long cycle precipitation heat treatment as standard.

PLATING

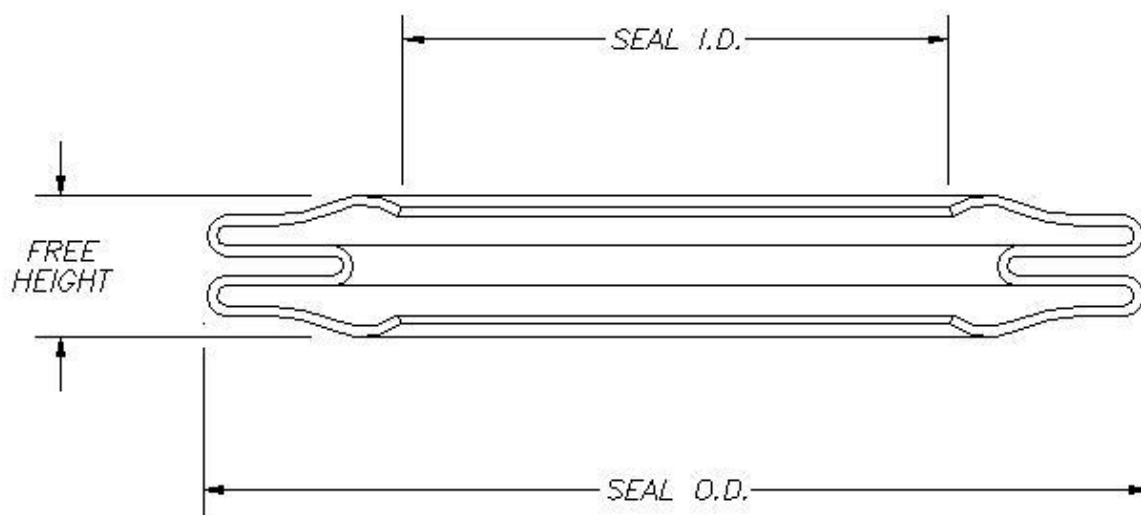
Where silver plating is shown the thickness is 0.0003/0.0006. Plating may be incomplete away from sealing surfaces.

SPECIAL FEATURES

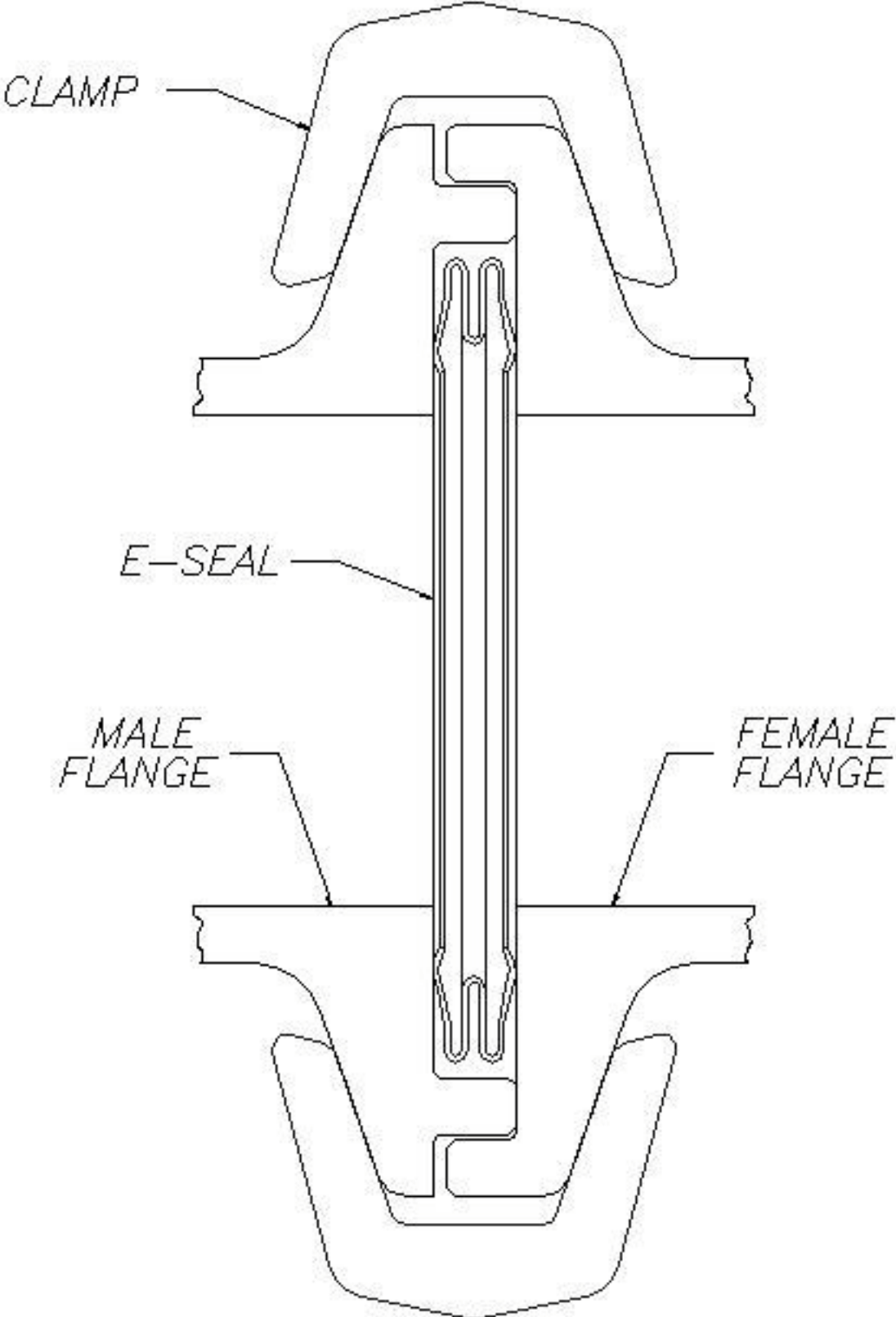
Seals are manufactured so they are a snap fit in their cavities. Therefore seal diameters are out of round in excess of tolerances.

Seals may contain a weld.

TYPICAL E-SEAL



TYPICAL E-SEAL INSTALLATION



S2283-XXX SERIES E-SEALS

PART NUMBER	SEAL				OUT OF ROUNDNESS OF OUTER DIAMETER	DUCT SIZE	EQUIVALENT TO
	O/D	I/D (REF)	FREE HT	MAT'L THK			
S2283-100	1.249	.958	.113	.011	.040	1.00	A3475
	1.245		.103	.009	.020		AS1895/7-100
S2283-125	1.499	1.208	.113	.011	.040	1.25	A3478
	1.495		.103	.009	.020		AS1895/7-125
S2283-150	1.749	1.458	.113	.011	.040	1.50	A0944
	1.745		.103	.009	.020		AS1895/7-150
S2283-175	1.999	1.708	.113	.011	.040	1.75	A3624
	1.995		.103	.009	.020		AS1895/7-175
S2283-200	2.249	1.958	.113	.011	.040	2.00	A0945
	2.245		.103	.009	.020		AS1895/7-200
S2283-225	2.499	2.208	.113	.011	.040	2.25	A3505
	2.493		.103	.009	.020		AS1895/7-225
S2283-250	2.749	2.458	.113	.011	.040	2.50	A0946
	2.743		.103	.009	.020		AS1895/7-250
S2283-275	2.999	2.708	.113	.011	.040	2.75	A2873-275
	2.993		.103	.009	.020		AS1895/7-275
S2283-300	3.249	2.958	.113	.011	.040	3.00	A2873-300
	3.243		.103	.009	.020		AS1895/7-300
S2283-325	3.499	3.208	.113	.011	.040	3.25	A2873-325
	3.491		.103	.009	.020		AS1895/7-325
S2283-350	3.749	3.458	.113	.011	.050	3.50	A2873-350
	3.741		.103	.009	.030		AS1895/7-350
S2283-400	4.249	3.958	.113	.011	.050	4.00	A2873-400
	4.241		.103	.009	.030		AS1895/7-400
S2283-450	4.749	4.458	.113	.011	.050	4.50	A2873-450
	4.739		.103	.009	.030		AS1895/7-450
S2283-500	5.249	4.958	.113	.011	.060	5.00	A2873-500
	5.239		.103	.009	.040		AS1895/7-500
S2283-550	5.749	5.458	.113	.011	.060	5.50	A2873-550
	5.737		.103	.009	.040		AS1895/7-550
S2283-600	6.249	5.958	.113	.011	.060	6.00	A2873-600
	6.237		.103	.009	.040		AS1895/7-600
S2283-650	6.749	6.458	.113	.011	.065	6.50	AS1895/7-650
	6.735		.103	.009	.045		
S2283-700	7.249	6.958	.113	.011	.065	7.00	AS1895/7-700
	7.235		.103	.009	.045		
S2283-750	7.749	7.458	.113	.011	.065	7.50	A2873-750
	7.733		.103	.009	.045		

S2283-XXX-SP SERIES E-SEALS

PART NUMBER	SEAL				OUT OF ROUNDNESS OF OUTER DIAMETER	DUCT SIZE	EQUIVALENT TO
	O/D	I/D (REF)	FREE HT	MAT'L THK			
S2283-100-SP	1.249	.958	.113	.011	.040	1.00	A3475
	1.245		.103	.009	.020		AS1895/7-100
S2283-125-SP	1.499	1.208	.113	.011	.040	1.25	A3478
	1.495		.103	.009	.020		AS1895/7-125
S2283-150-SP	1.749	1.458	.113	.011	.040	1.50	A0944
	1.745		.103	.009	.020		AS1895/7-150
S2283-175-SP	1.999	1.708	.113	.011	.040	1.75	A3624
	1.995		.103	.009	.020		AS1895/7-175
S2283-200-SP	2.249	1.958	.113	.011	.040	2.00	A0945
	2.245		.103	.009	.020		AS1895/7-200
S2283-225-SP	2.499	2.208	.113	.011	.040	2.25	A3505
	2.493		.103	.009	.020		AS1895/7-225
S2283-250-SP	2.749	2.458	.113	.011	.040	2.50	A0946
	2.743		.103	.009	.020		AS1895/7-250
S2283-275-SP	2.999	2.708	.113	.011	.040	2.75	A2873-275
	2.993		.103	.009	.020		AS1895/7-275
S2283-300-SP	3.249	2.958	.113	.011	.040	3.00	A2873-300
	3.243		.103	.009	.020		AS1895/7-300
S2283-325-SP	3.499	3.208	.113	.011	.040	3.25	A2873-325
	3.491		.103	.009	.020		AS1895/7-325
S2283-350-SP	3.749	3.458	.113	.011	.050	3.50	A2873-350
	3.741		.103	.009	.030		AS1895/7-350
S2283-400-SP	4.249	3.958	.113	.011	.050	4.00	A2873-400
	4.241		.103	.009	.030		AS1895/7-400
S2283-450-SP	4.749	4.458	.113	.011	.050	4.50	A2873-450
	4.739		.103	.009	.030		AS1895/7-450
S2283-500-SP	5.249	4.958	.113	.011	.060	5.00	A2873-500
	5.239		.103	.009	.040		AS1895/7-500
S2283-550-SP	5.749	5.458	.113	.011	.060	5.50	A2873-550
	5.737		.103	.009	.040		AS1895/7-550
S2283-600-SP	6.249	5.958	.113	.011	.060	6.00	A2873-600
	6.237		.103	.009	.040		AS1895/7-600
S2283-650-SP	6.749	6.458	.113	.011	.065	6.50	AS1895/7-650
	6.735		.103	.009	.045		
S2283-700-SP	7.249	6.958	.113	.011	.065	7.00	AS1895/7-700
	7.235		.103	.009	.045		
S2283-750-SP	7.749	7.458	.113	.011	.065	7.50	A2873-750
	7.733		.103	.009	.045		

S2314-XXX SERIES E-SEALS

PART NUMBER	SEAL				OUT OF ROUNDNESS OF OUTER DIAMETER	DUCT SIZE	EQUIVALENT TO
	O/D	I/D (REF)	FREE HT	MAT'L THK			
S2314-100	1.363	1.002	.145	0.13	.030	1.00	A0855
	1.359		.135	.011	.015		BE28931
S2314-125	1.613	1.252	.145	.013	.030	1.25	A0856
	1.609		.135	.011	.015		BE28932
S2314-150	1.863	1.502	.145	.013	.030	1.50	A0857
	1.859		.135	.011	.015		BE28933
S2314-175	2.113	1.752	.145	.013	.030	1.75	A0864
	2.109		.135	.011	.015		BE28934
S2314-200	2.363	2.002	.145	.013	.030	2.00	A0858
	2.359		.135	.011	.015		BE28935
S2314-225	2.614	2.252	.145	.013	.035	2.25	A0865
	2.608		.135	.011	.020		BE28936
S2314-250	2.864	2.502	.145	.013	.035	2.50	A0859
	2.858		.135	.011	.020		BE28937
S2314-275	3.114	2.752	.145	.013	.035	2.75	A0866 A0938
	3.108		.135	.011	.020		BE28938
S2314-300	3.364	3.002	.145	.013	.040	3.00	A0860
	3.358		.135	.011	.025		BE28939
S2314-325	3.614	3.252	.145	.013	.035	3.25	A0867
	3.608		.135	.011	.020		BE28940
S2314-350	3.865	3.502	.145	.013	.050	3.50	A0861
	3.857		.135	.011	.030		BE28941
S2314-400	4.365	4.002	.145	.013	.050	4.00	A0862
	4.357		.135	.011	.030		BE28942
S2314-450	4.865	4.502	.145	.013	.050	4.50	A0863
	4.857		.135	.011	.030		BE28943
S2314-500	5.367	5.002	.145	.013	.060	5.00	A0868
	5.355		.135	.011	.040		BE28944
S2314-550	5.867	5.502	.145	.013	.060	5.50	A0869
	5.855		.135	.011	.040		BE28945
S2314-600	6.367	6.002	.145	.013	.065	6.00	A0805
	6.355		.135	.011	.045		BE28946
S2314-650	6.867	6.502	.145	.013	.060	6.50	A2802
	6.855		.135	.011	.040		
NA10092	6.469	6.104	.145	.013	.060	-	A0870
	6.457		.135	.011	.040		BE28990

S2346-XXX SERIES E-SEALS

PART NUMBER	SEAL				OUT OF ROUNDNESS OF OUTER DIAMETER	DUCT SIZE	EQUIVALENT TO
	O/D	I/D (REF)	FREE HT	MAT'L THK			
S2346-100	1.365	1.079	.113	.011	.035	1.00	A7387-100
	1.361		.103	.009	.025		
S2346-125	1.615	1.329	.113	.011	.035	1.25	A7387-125
	1.611		.103	.009	.025		
S2346-150	1.865	1.579	.113	.011	.035	1.50	A7387-150
	1.861		.103	.009	.025		
S2346-175	2.115	1.829	.113	.011	.035	1.75	A7387-175
	2.111		.103	.009	.025		
S2346-200	2.365	2.079	.113	.011	.040	2.00	A7387-200
	2.361		.103	.009	.025		
S2346-225	2.615	2.329	.113	.011	.040	2.25	A7387-225
	2.609		.103	.009	.025		
S2346-250	2.865	2.578	.113	.011	.045	2.50	A7387-250
	2.859		.103	.009	.030		
S2346-275	3.115	2.828	.113	.011	.045	2.75	A7387-275
	3.109		.103	.009	.030		
S2346-300	3.365	3.078	.113	.011	.045	3.00	A7387-300
	3.359		.103	.009	.030		
S2346-325	3.615	3.327	.113	.011	.050	3.25	A7387-325
	3.607		.103	.009	.035		
S2346-350	3.865	3.577	.113	.011	.050	3.50	A7387-350
	3.857		.103	.009	.035		
S2346-400	4.365	4.077	.113	.011	.050	4.00	A7387-400
	4.357		.103	.009	.035		
S2346-450	4.865	4.575	.113	.011	.060	4.50	A7387-450
	4.855		.103	.009	.040		
S2346-500	5.365	5.075	.113	.011	.060	5.00	A7387-500
	5.353		.103	.009	.040		
S2346-550	5.865	5.573	.113	.011	.065	5.50	A7387-550
	5.853		.103	.009	.045		
S2346-600	6.365	6.073	.113	.011	.065	6.00	A7387-600
	6.353		.103	.009	.045		

S2347-XXX SERIES E-SEALS

PART NUMBER	SEAL				OUT OF ROUNDNESS OF OUTER DIAMETER	DUCT SIZE	EQUIVALENT TO
	O/D	I/D (REF)	FREE HT	MAT'L THK			
S2347-150	1.944	1.663	.113	.011	.030	1.50	8757-150
	1.940		.103		.015		
S2347-175	2.199	1.918	.113	.011	.030	1.75	8757-175
	2.195		.103		.009		
S2347-200	2.444	2.163	.113	.011	.035	2.00	8757-200
	2.438		.103		.009		
S2347-250	2.944	2.663	.113	.011	.035	2.50	8757-250
	2.938		.103		.009		
S2347-300	3.434	3.153	.113	.011	.040	3.00	8757-300
	3.426		.103		.009		
S2347-350	3.934	3.653	.113	.011	.040	3.50	8757-350
	3.926		.103		.009		
S2347-400	4.434	4.153	.113	.011	.050	4.00	8757-400
	4.424		1.03		.009		
S2347-450	4.934	4.653	.113	.011	.050	4.50	8757-450
	4.924		.103		.009		
S2347-500	5.434	5.153	.113	.011	.050	5.00	8757-500
	5.422		.103		.009		
S2347-550	5.934	5.653	.113	.011	.050	5.50	8757.550
	5.922		.103		.009		
S2347-600	6.434	6.153	.113	.011	.055	6.00	8757.600
	6.420		.103		.009		
S2347-650	6.934	6.653	.113	.011	.055	6.50	8757-650
	6.920		.103		.009		
S2347-700	7.434	7.153	.113	.011	.060	7.00	8757-700
	7.420		.103		.009		
S2347-750	7.934	7.653	.113	.011	.060	7.50	8757-750
	7.918		.103		.009		
S2347-800	8.434	8.153	.113	.011	.065	8.00	8757.800
	8.418		.103		.009		

CROSS REFERENCE TABLE

EQUIVALENT PART NUMBER	NICHOLSONS PART NUMBER			
	UNPLATED	SEE PAGE	SILVER PLATED	SEE PAGE
8757-150	S2347-150	7	-	-
8757-175	S2347-175	7	-	-
8757-200	S2347-200	7	-	-
8757-250	S2347-250	7	-	-
8757-300	S2347-300	7	-	-
8757-350	S2347-350	7	-	-
8757-400	S2347-400	7	-	-
8757-450	S2347-450	7	-	-
8757-500	S2347-500	7	-	-
8757-550	S2347-550	7	-	-
8757-600	S2347-600	7	-	-
8757-650	S2347-650	7	-	-
8757-700	S2347-700	7	-	-
8757-750	S2347-750	7	-	-
8757-800	S2347-800	7	-	-
A0805	S2314-600	5	-	-
A0855	S2314-100	5	-	-
A0856	S2314-125	5	-	-
A0857	S2314-150	5	-	-
A0858	S2314-200	5	-	-
A0859	S2314-250	5	-	-
A0860	S2314-300	5	-	-
A0861	S2314-350	5	-	-
A0862	S2314-400	5	-	-
A0863	S2314-450	5	-	-
A0864	S2314-175	5	-	-
A0865	S2314-225	5	-	-
A0866	S2314-275	5	-	-
A0867	S2314-325	5	-	-
A0868	S2314-500	5	-	-
A0869	S2314-550	5	-	-
A0870	NA10092	5	-	-
A0938	S2314-275	5	-	-
A0944	S2283-150	3	S2283-150-SP	4
A0945	S2283-200	3	S2283-200-SP	4
A0946	S2283-250	3	S2283-250-SP	4
A2802	S2314-650	5	-	-
A2873-275	S2283-275	3	S2283-275-SP	4
A2873-300	S2283-300	3	S2283-300-SP	4
A2873-325	S2283-325	3	S2283-325-SP	4
A2873-350	S2283-350	3	S2283-350-SP	4
A2873-400	S2283-400	3	S2283-400-SP	4
A2873-450	S2283-450	3	S2283-450-SP	4
A2873-500	S2283-500	3	S2283-500-SP	4
A2873-550	S2283-550	3	S2283-550-SP	4
A2873-600	S2283-600	3	S2283-600-SP	4
A2873-750	S2283-750	3	S2283-750-SP	4
A3475	S2283-100	3	S2283-100-SP	4
A3478	S2283-125	3	S2283-125-SP	4
A3505	S2283-225	3	S2283-225-SP	4
A3624	S2283-175	3	S2283-175-SP	4
A7387-100	S2346-100	6	-	-
A7387-125	S2346-125	6	-	-
A7387-150	S2346-150	6	-	-
A7387-175	S2346-175	6	-	-
A7387-200	S2346-200	6	-	-
A7387-225	S2346-225	6	-	-
A7387-250	S2346-250	6	-	-
A7387-275	S2346-275	6	-	-
A7387-300	S2346-300	6	-	-

CROSS REFERENCE TABLE

A7387-325	S2346-325	6	-	-
A7387-350	S2346-350	6	-	-
A7387-400	S2346-400	6	-	-
A7387-450	S2346-450	6	-	-
A7387-500	S2346-500	6	-	-
A7387-550	S2346-550	6	-	-
A7387-600	S2346-600	6	-	-
AS1895/7-100	S2283-100	3	S2283-100-SP	4
AS1895/7-125	S2283-125	3	S2283-125-SP	4
AS1895/7-150	S2283-150	3	S2283-150-SP	4
AS1895/7-175	S2283-175	3	S2283-175-SP	4
AS1895/7-200	S2283-200	3	S2283-200-SP	4
AS1895/7-225	S2283-225	3	S2283-225-SP	4
AS1895/7-250	S2283-250	3	S2283-250-SP	4
AS1895/7-275	S2283-275	3	S2283-275-SP	4
AS1895/7-300	S2283-300	3	S2283-300-SP	4
AS1895/7-325	S2283-325	3	S2283-325-SP	4
AS1895/7-350	S2283-350	3	S2283-350-SP	4
AS1895/7-400	S2283-400	3	S2283-400-SP	4
AS1895/7-450	S2283-450	3	S2283-450-SP	4
AS1895/7-500	S2283-500	3	S2283-500-SP	4
AS1895/7-550	S2283-550	3	S2283-550-SP	4
AS1895/7-600	S2283-600	3	S2283-600-SP	4
AS1895/7-650	S2283-650	3	S2283-650-SP	4
AS1895/7-700	S2283-700	3	S2283-700-SP	4
BE28931	S2314-100	5	-	-
BE28932	S2314-125	5	-	-
BE28933	S2314-150	5	-	-
BE28934	S2314-175	5	-	-
BE28935	S2314-200	5	-	-
BE28936	S2314-225	5	-	-
BE28937	S2314-250	5	-	-
BE28938	S2314-275	5	-	-
BE28939	S2314-300	5	-	-
BE28940	S2314-325	5	-	-
BE28941	S2314-350	5	-	-
BE28942	S2314-400	5	-	-
BE28943	S2314-450	5	-	-
BE28944	S2314-500	5	-	-
BE28945	S2314-550	5	-	-
BE28946	S2314-600	5	-	-
BE28990	NA10092	5	-	-